

# 70 litres paper waste



## technical data sheet

**product** Sumus® bag, flat bottom, self-shaped.

**materials** 100% recycled,  
post consumer kraft paper

**weight** 75 g/m<sup>2</sup>

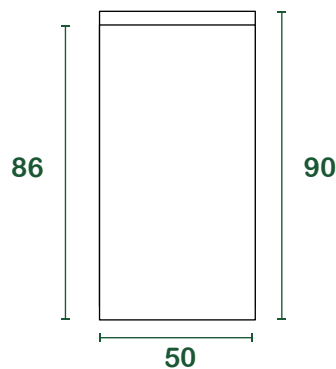
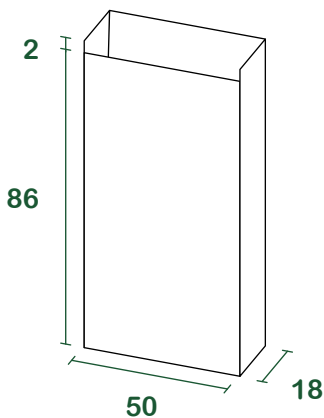
**glues and inks** Water - based.

**certifications** HPB High Performance Bag - UNI EN 13593:2003  
FSC® - Forest Stewardship Council CQ-COC-000217  
ATICELCA® 501 - livello B



## size

l = litri | misure in cm



## packaging

base [pieces/wad]	50
pieces/pallet	5.000
pallet size [cm]	100 <sub>x</sub> 120 <sub>x</sub> 175
gross weight pallet [kg]	500
full load [pallets]	23
full load [pieces]	115.000