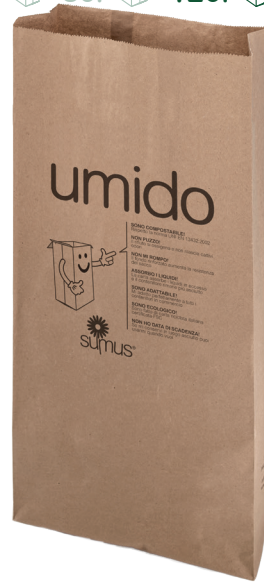




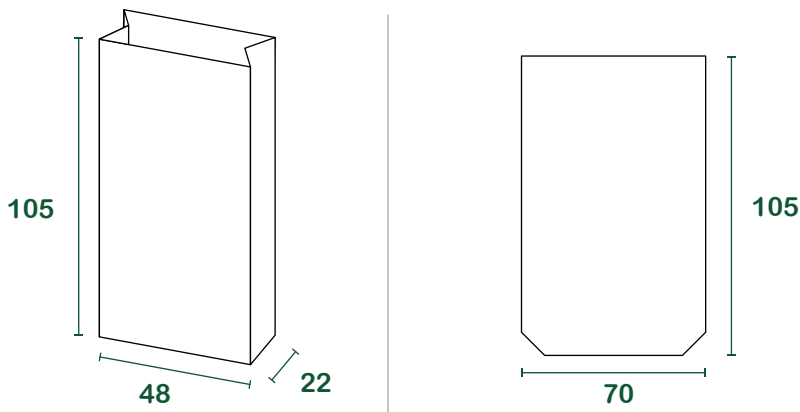
# organic waste bags 120l



## technical data sheet

<b>product</b>	Sumus® bag, with open top and crossed bottom.
<b>materials</b>	100% recycled, post consumer kraft paper, certified for composting
<b>weight</b>	75+75 g/m <sup>2</sup> (two layers) 90 g/m <sup>2</sup> (one layers, from 240l)
<b>glues and inks</b>	Water - based.
<b>certifications</b>	"Compostabile CIC" - UNI EN 13432:2002 "HPB High Performance Bag" - UNI EN 13593:2003 FSC® - Forest Stewardship Council CQ-COC-000217 ATICELCA® 501 - level B

## size



l = litres | size in cm

## packaging

base [pieces/wad]	20
pieces/pallet	3000
pallet size [cm]	110 <sub>x</sub> 140 <sub>x</sub> 160
gross weight pallet [kg]	900
full load [pallets]	23
full load [pieces]	69.000



**PLEASE NOTE:**  
All information on the packaging may undergo changes due to production needs or specific agreements with Sumus® Italia Srl

