

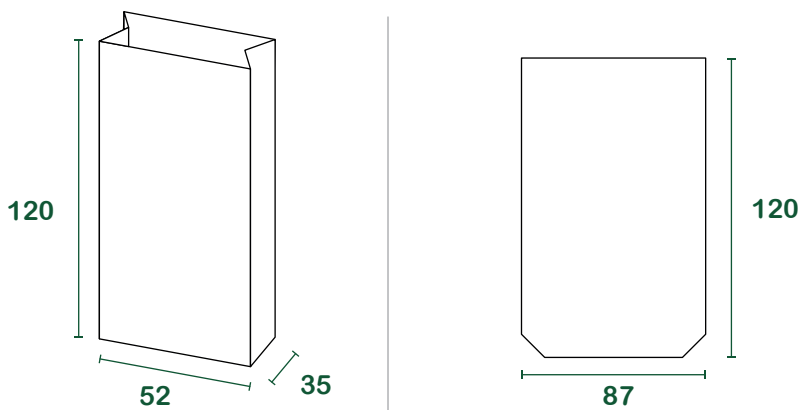
organic waste bags 240l



technical data sheet

product	Sumus® bag, with open top and crossed bottom.
materials	100% recycled, post consumer kraft paper, certified for composting
weight	75+75 g/m ² (two layers) 90 g/m ² (one layers, from 240l)
glues and inks	Water - based.
certifications	"Compostabile CIC" - UNI EN 13432:2002 "HPB High Performance Bag" - UNI EN 13593:2003 FSC® - Forest Stewardship Council CQ-COC-000217 ATICELCA® 501 - level B

size



l = litres | size in cm

packaging

base [pieces/wad]	25
pieces/pallet	2400
pallet size [cm]	80 _x 120 _x 150
gross weight pallet [kg]	1.250
full load [pallets]	32
full load [pieces]	79.200