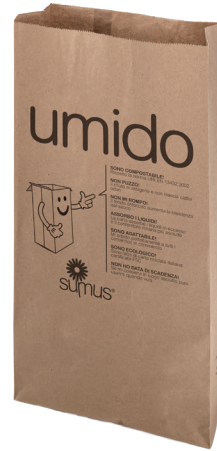




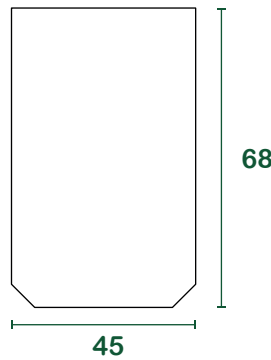
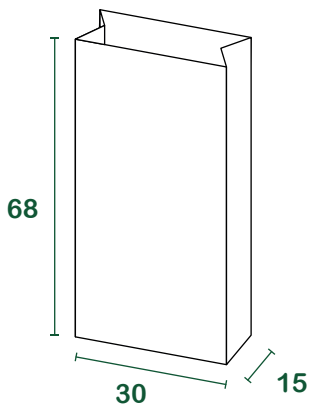
organic waste bags 30l



technical data sheet

| | |
|-----------------------|--|
| product | Sumus® bag, with open top and crossed bottom. |
| materials | 100% recycled, post consumer kraft paper, certified for composting |
| weight | 75+75 g/m ² (two layers) 90 g/m ² (one layers, from 240l) |
| glues and inks | Water - based. |
| certifications | "Compostabile CIC" - UNI EN 13432:2002 "HPB High Performance Bag" - UNI EN 13593:2003 FSC® - Forest Stewardship Council CQ-COC-000217 ATICELCA® 501 - level B |

size



l = litres | size in cm

packaging

| | |
|--------------------------|---------------------------------------|
| base [pieces/wad] | 20 |
| pieces/pallet | 5000 |
| pallet size [cm] | 110 _x 120 _x 170 |
| gross weight pallet [kg] | 800 |
| full load [pallets] | 23 |
| full load [pieces] | 115.000 |