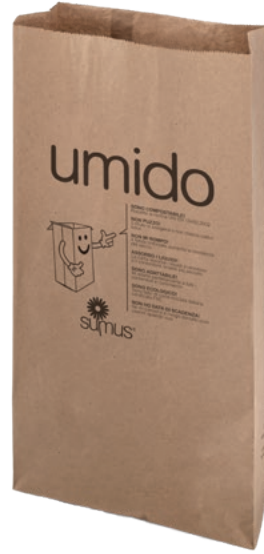




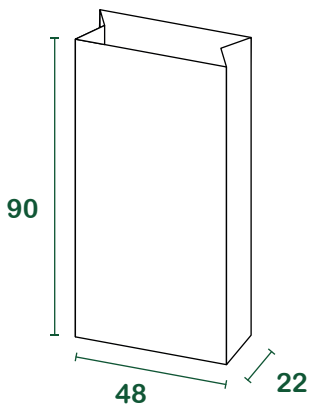
# organic and green waste bags 80l



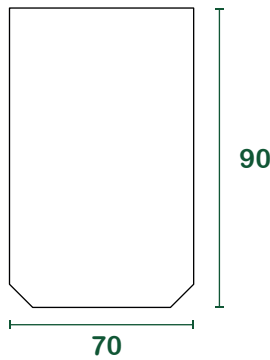
## technical data sheet

<b>product</b>	Sumus® bag, with open top and crossed bottom.
<b>materials</b>	100% recycled, post consumer kraft paper, certified for composting
<b>weight</b>	75+75 g/m <sup>2</sup> (two layers) 90 g/m <sup>2</sup> (one layers, from 240l)
<b>glues and inks</b>	Water - based.
<b>certifications</b>	"Compostabile CIC" - UNI EN 13432:2002 "HPB High Performance Bag" - UNI EN 13593:2003 FSC® - Forest Stewardship Council CQ-COC-000217 Blauer Engel

## size



l = litres | size in cm



## packaging

base [pieces/wad]	20
pieces/pallet	4000
pallet size [cm]	100 <sub>x</sub> 140 <sub>x</sub> 160
gross weight pallet [kg]	1.200
full load [pallets]	23
full load [pieces]	92.000