

paper waste bags 120l



technical data sheet

product Sumus® bag, flat bottom, self-shaped (120l crossed bottom).

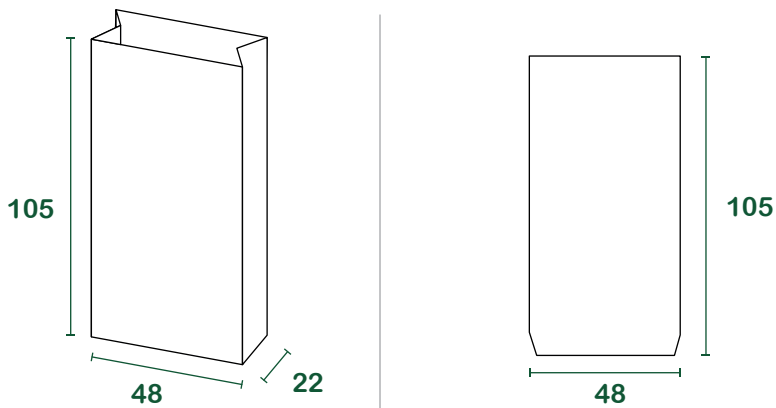
materials 100% recycled, post consumer kraft paper

weight 90 g/m²
75 + 75 g/m²

glues and inks Water - based.

certifications "HPB High Performance Bag" - UNI EN 13593:2003
FSC® - Forest Stewardship Council
Blauer Engel

size



l = litres | size in cm

packaging

| | |
|--------------------------|---------------------------------------|
| base [pieces/wad] | 20 |
| pieces/pallet | 3.000 |
| pallet size [cm] | 100 _x 120 _x 175 |
| gross weight pallet [kg] | 900 |
| full load [pallets] | 23 |
| full load [pieces] | 92.000 |