

paper waste bags 60l



technical data sheet

product Sumus® bag, flat bottom, self-shaped (120l crossed bottom).

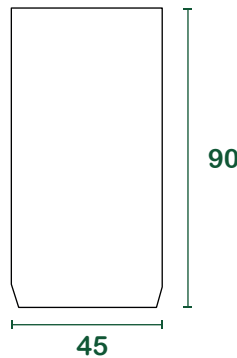
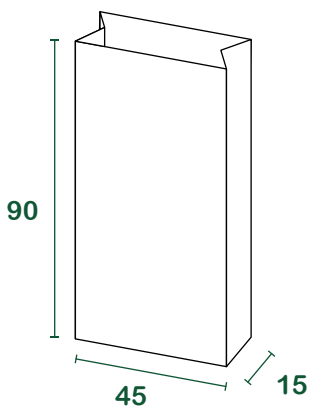
materials 100% recycled, post consumer kraft paper

weight 90 g/m²
75 + 75 g/m²

glues and inks Water - based.

certifications "HPB High Performance Bag" - UNI EN 13593:2003
 FSC® - Forest Stewardship Council
 Blauer Engel

size



l = litres | size in cm

packaging

base [pieces/wad]	20
pieces/pallet	5.000
pallet size [cm]	100 _x 120 _x 175
gross weight pallet [kg]	525
full load [pallets]	23
full load [pieces]	115.000