



Sumus® Italia srl P.le Arduino, 11 | 20149 Milano  
sumusitaliasrl@legalmail.it  
www.sumusitalia.it - info@sumusitalia.it

domestic use 7l 8l 8l 20l

# organic waste bags 20l



## technical data sheet

**product** Sumus® bag with flat bottom, self-shaping with side flaps and internal bottom flap. Patented product.

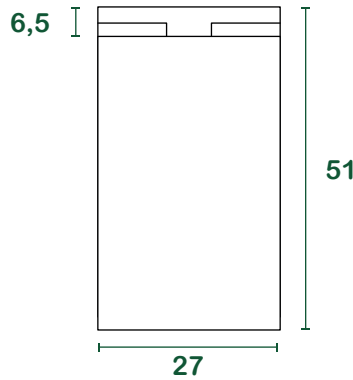
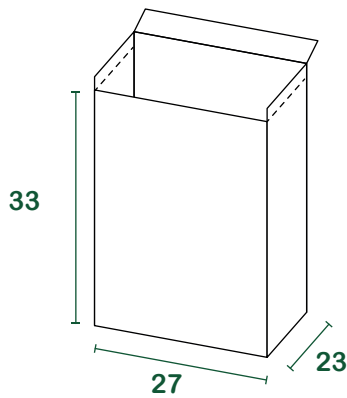
**materials** 100% recycled, post consumer kraft paper, certified for composting.

**weight** Bag: 60 g/m<sup>2</sup> | 65 g/m<sup>2</sup> | or higher  
Internal bottom flap: 140 g/m<sup>2</sup> | 160 g/m<sup>2</sup>

**glues and inks** Water-based

**certifications** "Compostabile CIC" - UNI EN 13432:2002  
"HPB High Performance Bag" - UNI EN 13593:2003  
FSC® - Forest Stewardship Council CQ-COC-000217  
Blauer Engel

## size



l = litres | size in cm

## packaging

base [pieces/wad]	50 * stripped
[wad/pack]	5
packs/pallet	60
pieces/pallet	15.000
pallet size [cm]	80 <sub>x</sub> 120 <sub>x</sub> 180
gross weight pallet [kg]	770
full load [pallets]	32
full load [pieces]	480.000



**PLEASE NOTE:**  
All information on the packaging may undergo changes due to production needs or specific agreements with Sumus® Italia Srl

