

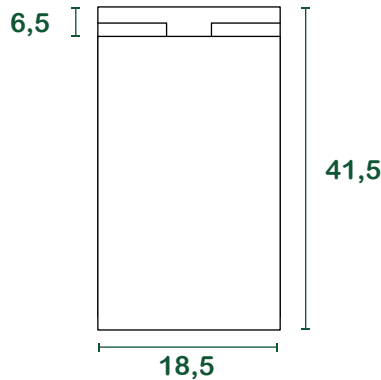
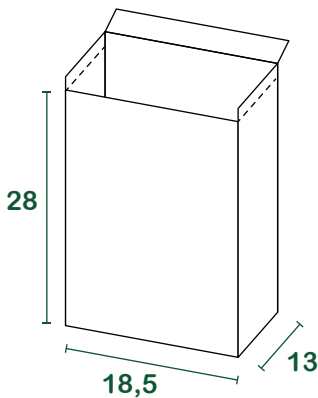
organic waste bags 7l



technical data sheet

product	Sumus® bag with flat bottom, self-shaping with side flaps and internal bottom flap. Patented product.
materials	100% recycled, post consumer kraft paper, certified for composting.
weight	Bag: 60 g/m² 65 g/m² or higher Internal bottom flap: 140 g/m² 160 g/m²
glues and inks	Water-based
certifications	"Compostabile CIC" - UNI EN 13432:2002 "HPB High Performance Bag" - UNI EN 13593:2003 FSC® - Forest Stewardship Council CQ-COC-000217 Blauer Engel

size



l = litres | size in cm

packaging

base [pieces/wad]	50 * stripped
[wad/pack]	12
packs/pallet	56
pieces/pallet	33.600
pallet size [cm]	80 _x 120 _x 190
gross weight pallet [kg]	700
full load [pallets]	32
full load [pieces]	1.075.200