



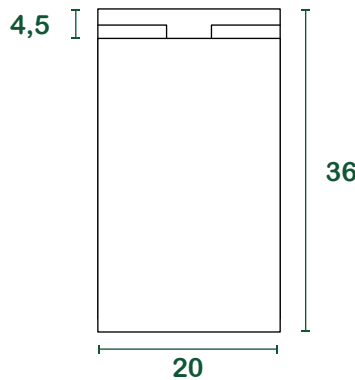
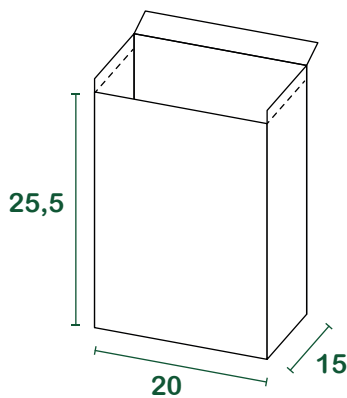
# organic waste bags 8l nano



## technical data sheet

<b>product</b>	<b>Sumus®</b> bag with flat bottom, self-shaping with side flaps and internal bottom flap. Patented product.
<b>materials</b>	<b>100% recycled, post consumer</b> kraft paper, certified for composting.
<b>weight</b>	Bag: <b>60 g/m<sup>2</sup>   65 g/m<sup>2</sup>   or higher</b> Internal bottom flap: <b>140 g/m<sup>2</sup>   160 g/m<sup>2</sup></b>
<b>glues and inks</b>	Water-based
<b>certifications</b>	<b>"Compostabile CIC"</b> - UNI EN 13432:2002 <b>"HPB High Performance Bag"</b> - UNI EN 13593:2003 <b>FSC®</b> - Forest Stewardship Council CQ-COC-000217 <b>Blauer Engel</b>

## size



l = litres | size in cm

## packaging

<b>base [pieces/wad]</b>	50 * stripped
<b>[wad/pack]</b>	12
<b>packs/pallet</b>	56
<b>pieces/pallet</b>	33.600
<b>pallet size [cm]</b>	80 <sub>x</sub> 120 <sub>x</sub> 175
<b>gross weight pallet [kg]</b>	700
<b>full load [pallets]</b>	32
<b>full load [pieces]</b>	1.075.200