

# paper waste bags 35l



## technical data sheet

**product** Sumus® bag, flat bottom, self-shaped.

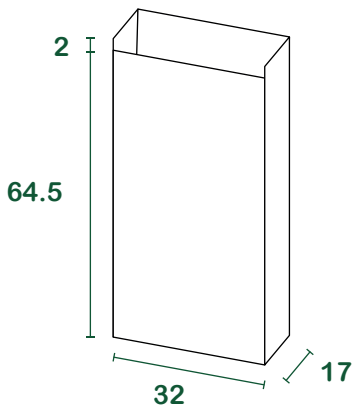
**materials** 100% recycled, post consumer kraft paper

**weight** 75 g/m<sup>2</sup>

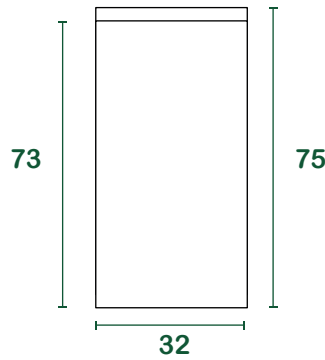
**glues and inks** Water - based.

**certifications** "HPB High Performance Bag" - UNI EN 13593:2003  
FSC® - Forest Stewardship Council CQ-COC-000217  
ATICELCA® 501 - level B

## size



l = litres | size in cm



## packaging

**base [pieces/wad]** 25 / 50 / 100

**pieces/pallet** 10.000

**pallet size [cm]** 80<sub>x</sub>140<sub>x</sub>175

**gross weight pallet [kg]** 640

**full load [pallets]** 27

**full load [pieces]** 270.000