

paper waste bags 50l



technical data sheet

product Sumus® bag, flat bottom, self-shaped.

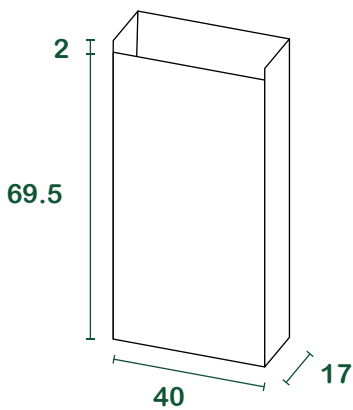
materials 100% recycled, post consumer kraft paper

weight 75 g/m²

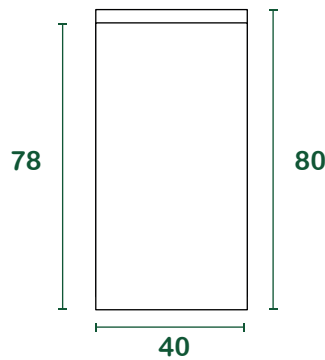
glues and inks Water - based.

certifications "HPB High Performance Bag" - UNI EN 13593:2003
FSC® - Forest Stewardship Council CQ-COC-000217
ATICELCA® 501 - level B

size



l = litres | size in cm



packaging

base [pieces/wad] 25 / 50 / 100

pieces/pallet 10.000

pallet size [cm] 80_x120_x175

gross weight pallet [kg] 610

full load [pallets] 32

full load [pieces] 320.000