

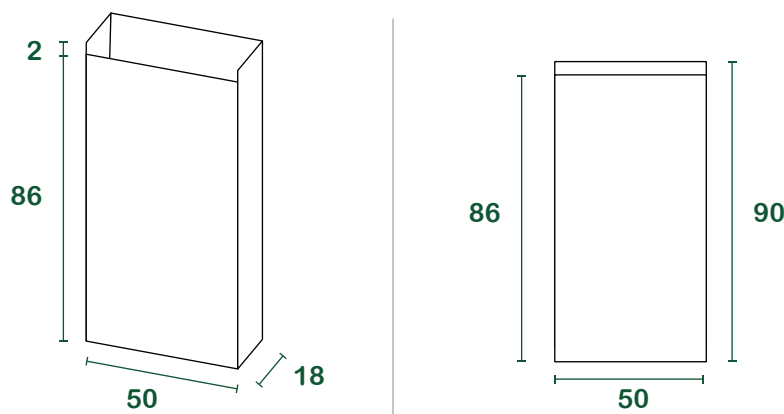
paper waste bags 70l



technical data sheet

product	Sumus® bag, flat bottom, self-shaped.
materials	100% recycled, post consumer kraft paper
weight	75 g/m ²
glues and inks	Water - based.
certifications	"HPB High Performance Bag" - UNI EN 13593:2003 FSC® - Forest Stewardship Council CQ-COC-000217 ATICELCA® 501 - level B

size



l = litres | size in cm

packaging

base [pieces/wad]	50
pieces/pallet	5.000
pallet size [cm]	100 _x 120 _x 175
gross weight pallet [kg]	500
full load [pallets]	23
full load [pieces]	115.000