



Sumus® Italia srl P.le Arduino, 11 | 20149 Milano
 sumusitaliasrl@legalmail.it
 www.sumusitalia.it - info@sumusitalia.it

domestic use 7l 8l 8l 20l

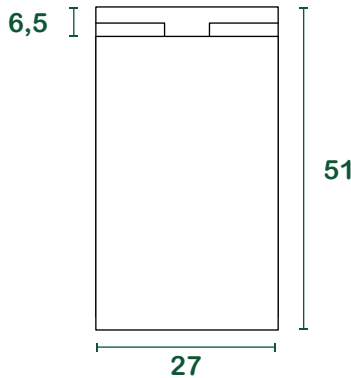
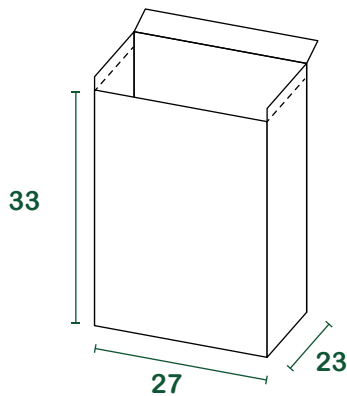
organic waste bags 20l



technical data sheet

product	Sumus® bag with flat bottom, self-shaping with side flaps and internal bottom flap. Patented product.
materials	100% recycled, post consumer kraft paper, certified for composting.
weight	Bag: 60 g/m² 65 g/m² or higher Internal bottom flap: 140 g/m² 160 g/m²
glues and inks	Water-based
certifications	"Compostabile CIC" - UNI EN 13432:2002 "HPB High Performance Bag" - UNI EN 13593:2003 FSC® - Forest Stewardship Council CQ-COC-000217 ATICELCA® 501 - level B

size



l = litres | size in cm

packaging

base [pieces/wad]	50 * stripped
[wad/pack]	5
packs/pallet	60
pieces/pallet	15.000
pallet size [cm]	80 _x 120 _x 180
gross weight pallet [kg]	770
full load [pallets]	32
full load [pieces]	480.000



PLEASE NOTE:
 All information on the packaging may undergo changes due to production needs or specific agreements with **Sumus® Italia Srl**

