

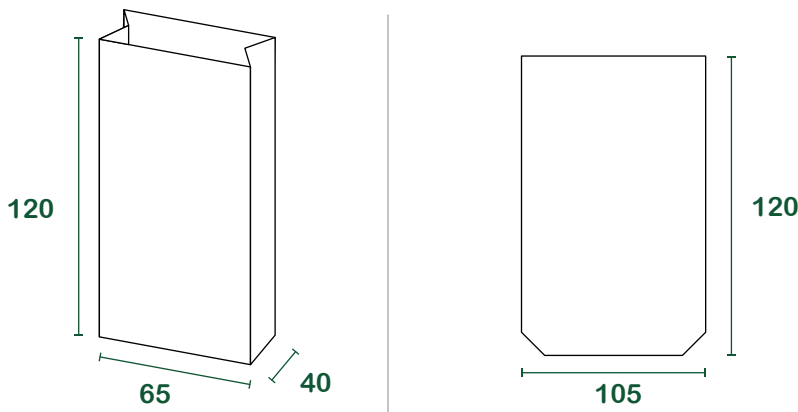
# organic waste bags 360l



## technical data sheet

<b>product</b>	<b>Sumus®</b> bag, with open top and crossed bottom.
<b>materials</b>	<b>100% recycled, post consumer</b> kraft paper, certified for composting
<b>weight</b>	<b>75+75 g/m<sup>2</sup></b> (two layers) <b>90 g/m<sup>2</sup></b> (one layers, from 240l)
<b>glues and inks</b>	Water - based.
<b>certifications</b>	"Compostabile CIC" - UNI EN 13432:2002 "HPB High Performance Bag" - UNI EN 13593:2003 FSC® - Forest Stewardship Council CQ-COC-000217 ATICELCA® 501 - level B

## size



l = litres | size in cm

## packaging

<b>base [pieces/wad]</b>	25
<b>pieces/pallet</b>	1500
<b>pallet size [cm]</b>	80 <sub>x</sub> 120 <sub>x</sub> 150
<b>gross weight pallet [kg]</b>	1.250
<b>full load [pallets]</b>	32
<b>full load [pieces]</b>	76.800