

20 litres organic waste

technical data sheet | domestic use

product Sumus® bag with flat bottom, self-shaping with side flaps and internal bottom flap. Patented product.

materials 100% recycled, post consumer kraft paper, certified for composting.

weight Bag: 60 g/m² | 65 g/m² | or higher
Internal bottom flap: 140 g/m² | 160 g/m²

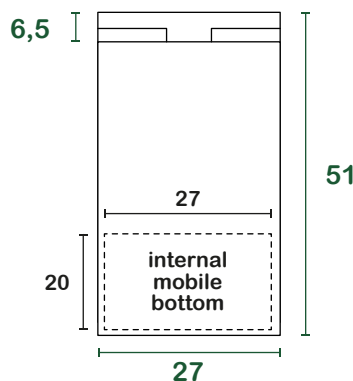
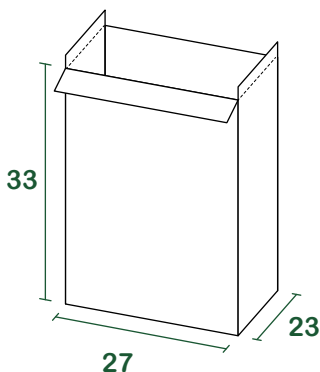
glues and inks Water-based

certifications Compostabile CIC - UNI EN 13432:2002
HPB High Performance Bag - UNI EN 13593:2003
FSC® - Forest Stewardship Council CQ-COC-000217



size

l = litres | size in cm



packaging

base [pieces/wad]	50 * stripped
[wad/pack]	5
packs/pallet	60
pieces/pallet	15.000
pallet size [cm]	80 _x 120 _x 180
gross weight pallet [kg]	770
full load [pallets]	32
full load [pieces]	480.000

CONTACTS:
Sumus® Italia srl Via Nicola Piccinni, 5 | 20131 - Milan MI - Italy
sumusitaliasrl@legalmail.it
www.sumusitalia.it - info@sumusitalia.it

PLEASE NOTE:
All information on the packaging may undergo changes due to productio needs or specific agreements with Sumus® Italia Srl



SISTEMI DI GESTIONE CERTIFICATI

