

8 litres organic waste

technical data sheet | domestic use

product Sumus® bag with flat bottom, self-shaping with side flaps and internal bottom flap.
Patented product.

materials **100% recycled, post consumer** kraft paper, certified for composting.

weight Bag: **60 g/m² | 65 g/m² | or higher**
Internal bottom flap: **140 g/m² | 160 g/m²**

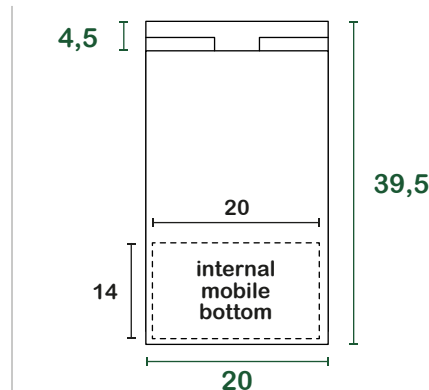
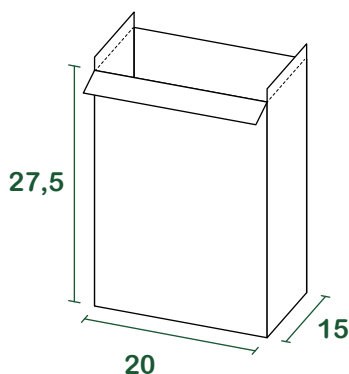
glues and inks Water-based

certifications **Compostabile CIC** - UNI EN 13432:2002
HPB High Performance Bag - UNI EN 13593:2003
FSC® - Forest Stewardship Council CQ-COC-000217



size

l = litres | size in cm



packaging

base [pieces/wad]	50 * stripped
[wad/-pack]	12
packs/pallet	56
pieces/pallet	33.600
pallet size [cm]	80 _x 120 _x 190
gross weight pallet [kg]	700
full load [pallets]	32
full load [pieces]	1.075.200

CONTACTS:
Sumus® Italia srl Via Nicola Piccinni, 5 | 20131 - Milan MI - Italy
sumusitaliasrl@legalmail.it
www.sumusitalia.it - info@sumusitalia.it

PLEASE NOTE:
All information on the packaging may undergo changes due to productio needs or specific agreements with **Sumus® Italia Srl**

