

120 litres paper waste

technical data sheet

product Sumus® bag, flat and crossed bottom.

materials 100% recycled,
post consumer kraft paper

weight 90 g/m²
75 + 75 g/m²

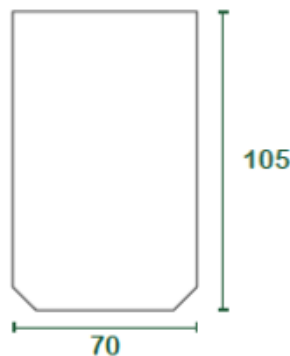
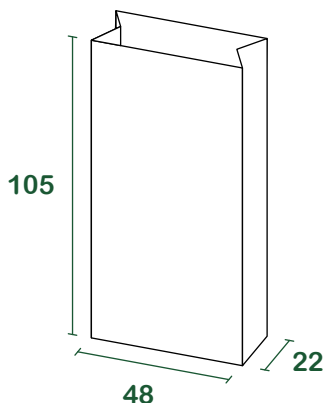
glues and inks Water - based.

certifications HPB High Performance Bag - UNI EN 13593:2003
FSC® - Forest Stewardship Council CQ-COC-000217
ATICELCA® 501 - livello B



size

l = litri | misure in cm



packaging

base [pieces/wad]	20
pieces/pallet	3.000
pallet size [cm]	100 _x 120 _x 175
gross weight pallet [kg]	900
full load [pallets]	23
full load [pieces]	92.000

CONTACTS:
Sumus® Italia srl Via Nicola Piccinni, 5 | 20131 - Milan MI - Italy
sumusitaliasrl@legalmail.it
www.sumusitalia.it - info@sumusitalia.it

PLEASE NOTE:
All information on the packaging may undergo changes due to productio needs or specific agreements with Sumus® Italia Srl

SISTEMI DI GESTIONE CERTIFICATI

